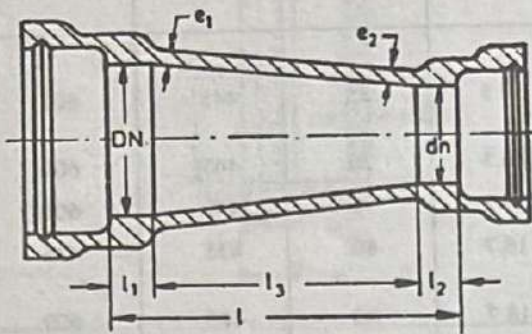


Table 17 Double Socket Tapers
(Clauses 9.1 and 11.1)

All dimensions in millimetres.



$$e_1 = \frac{14}{12} (7 + 0.02 DN)$$

$$e_2 = \frac{14}{12} (7 + 0.02 DN)$$

$$l_1 = 35 + 0.1 DN$$

$$l_2 = 35 + 0.1 dn$$

Large Diameter			Small Diameter			l	Mass
Nominal Diameter (DN)	e_1	l_1	Nominal Diameter (dn)	e_2	l_2		
							kg
100	10.5	45	80	10.0	43	112	18
125	11.1	47.5	80	10.0	43	309.5	27
125	11.1	47.5	100	10.5	45	307.5	30
150	11.7	50	80	10.0	43	307	31
150	11.7	50	100	10.5	45	305	34
150	11.7	50	125	11.1	47.5	302.5	38
200	12.8	55	100	10.5	45	300	43
200	12.8	55	125	11.1	47.5	297.5	47
200	12.8	55	150	11.7	50	295	51
250	14.0	60	125	11.1	47.5	292.5	58
250	14.0	60	150	11.7	50	290	62
250	14.0	60	200	12.8	55	285	72
300	15.2	65	150	11.7	50	285	75
300	15.2	65	200	12.8	55	280	84
300	15.2	65	250	14.0	60	275	95